

# Product Information

## 4-wire Door Station

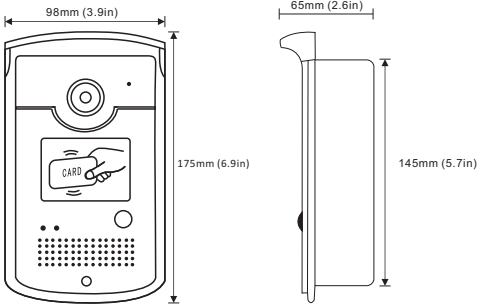
### PVA-705-D



#### DESCRIPTION

4-wire system color outdoor station with proximity access control

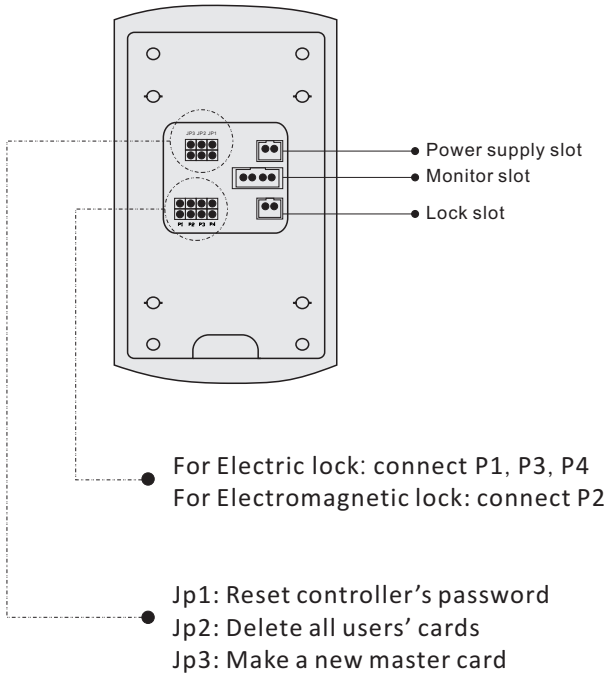
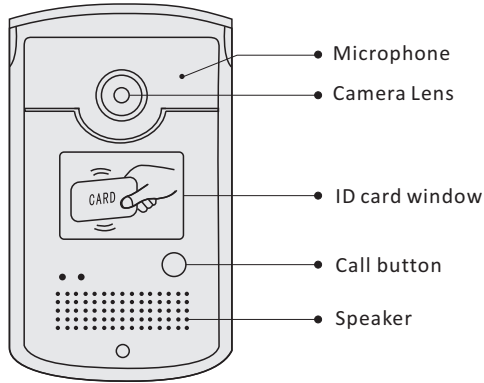
#### DIMENSION



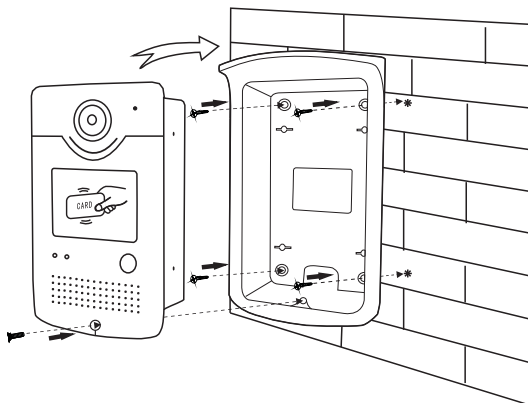
#### FEATURES

- ▶ Aluminum alloy panel design with rain cover;
- ▶ Proximity access control;
- ▶ Multi entry stations are supported;
- ▶ Compatible with all 4-wire system models

# 1. Parts and Functions



## 2. Installation



## 3. Specification

Model No.	PVA-705-D
Camera	HD camera
Lens	1.0MP 3.6mm
Resolution	700 TV Lines
IR LED	6 pc
Power Supply	DC 15V
Power Consumption	Standby 1W, working status 8W
Wiring	4 wires (RVV 4*0.5mm)
Installation	Flush-mounted
Talking time	45 sec
Monitoring time	30 sec
Operating Temperature	-10°C ~ +60°C
Gross weight	0.65kg
Dimension	175(H)×98(W)×65(D)mm 6.9 (H)×3.9 (W)×2.6(D)in
Embedded Dimension	145(H)×80(W)×35(D)mm 5.7 (H)×3.1 (W)×1.4(D)in