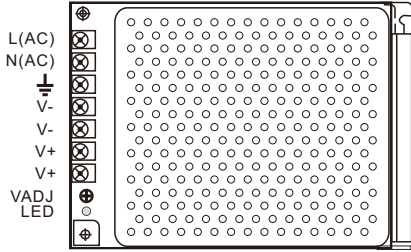


1. Description

2-wire system 24V Power supply with Din-rail mounting or metal box.

- Din-rail or metal box mounting
- 10 DIN modules
- DC24V 1.5A output

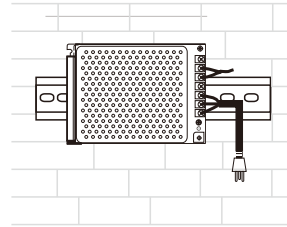
2. Parts and Functions



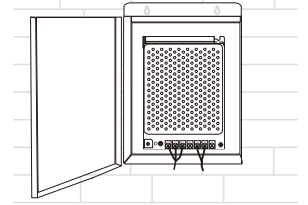
- L(AC): AC input.
- N(AC): AC input.
- : Earth Ground.
- V-: DC power output.(21.5~26.5 adjustable)
- V+: DC power output.(21.5~26.5 adjustable)
- VADJ: Output voltage adjustment.
- LED: Working state indicator.

-1-

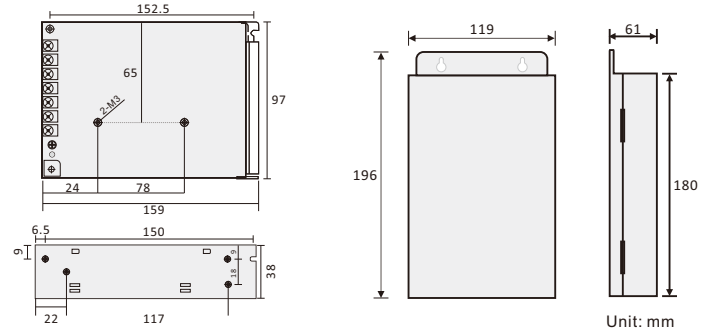
3. Installation



DIN rail mounting



Box mounting



Unit: mm

4. Specification

- Input Voltage: 100~120VAC(2.5A), 200~240VAC(1.5A)
- Input Frequency: 50~60 Hz
- Rated Output Voltage: 24Vdc
- Rated Output Current: 1.5A
- Working Temperature: -20 C~+60 C

-2-

USER MANUAL

2-wire Accessories
Power supply

