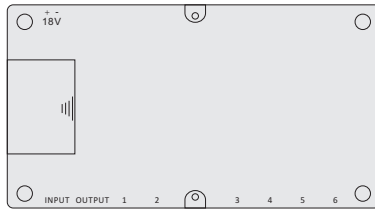


# Product Information

## CAT5 Video Distributor

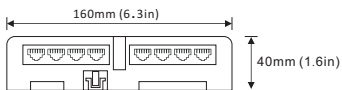
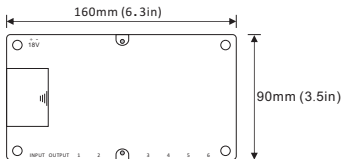
### PVA-506-C5



#### DESCRIPTION

CAT5 system branch controller with six monitors

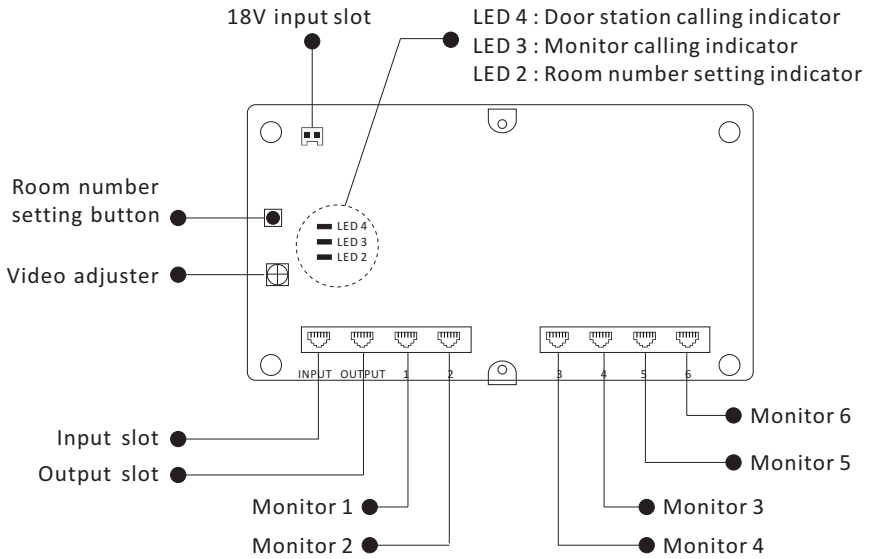
#### DIMENSION



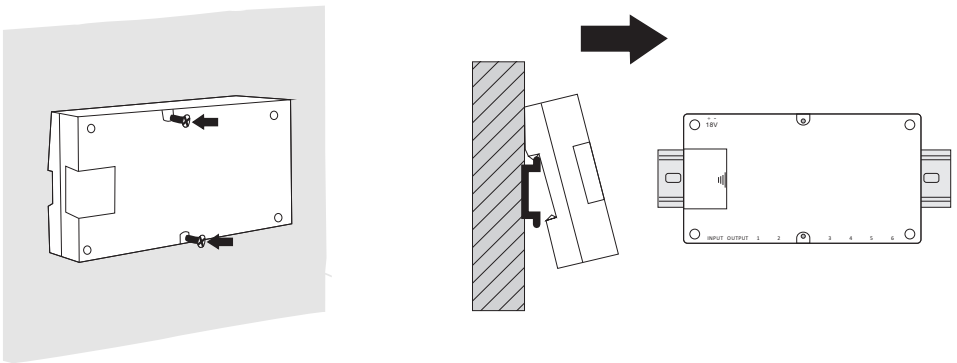
#### FEATURES

- ▶ Branch controller for 6 apartments and serve as floor distributor;
- ▶ RJ45 connection port;
- ▶ Strong anti-interference ability;
- ▶ Signal isolation device;

# 1. Parts and Functions



# 2. Installation



Direct wall-mounted

DIN-Rail mounted

### 3. Specification

Model No.	PVA-506-C5
Power Supply	DC 18V - 20V
Standby current	20mA
Working current	90mA
Wiring	CAT5 cable
Working Temperature	-10°C ~ +60°C
Gross weight	0.4 kg
Dimension	160(H)×90(W)×40(D)mm 6.3 (H)×3.5 (W)×1.6(D)in