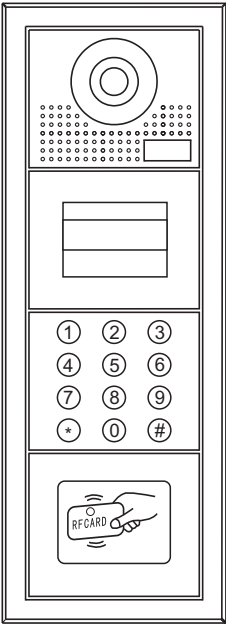


2-Wire Video Intercom System

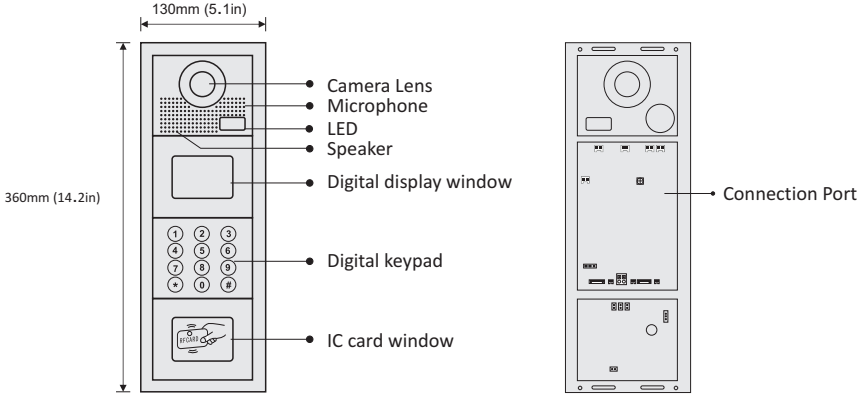
Door Station



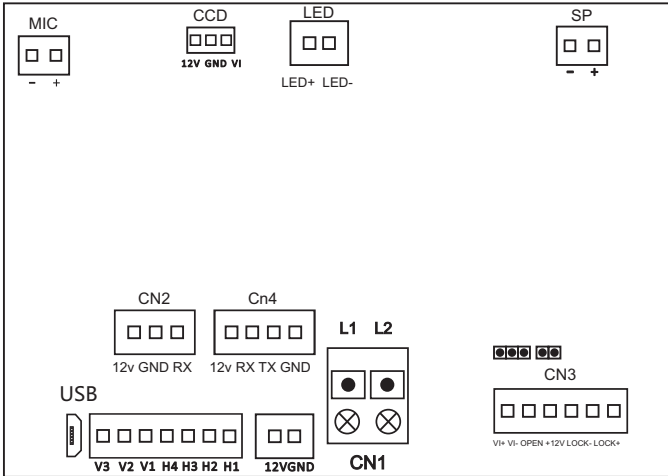
User Manual

Please read this manual carefully before using the product .

1. Parts and Functions

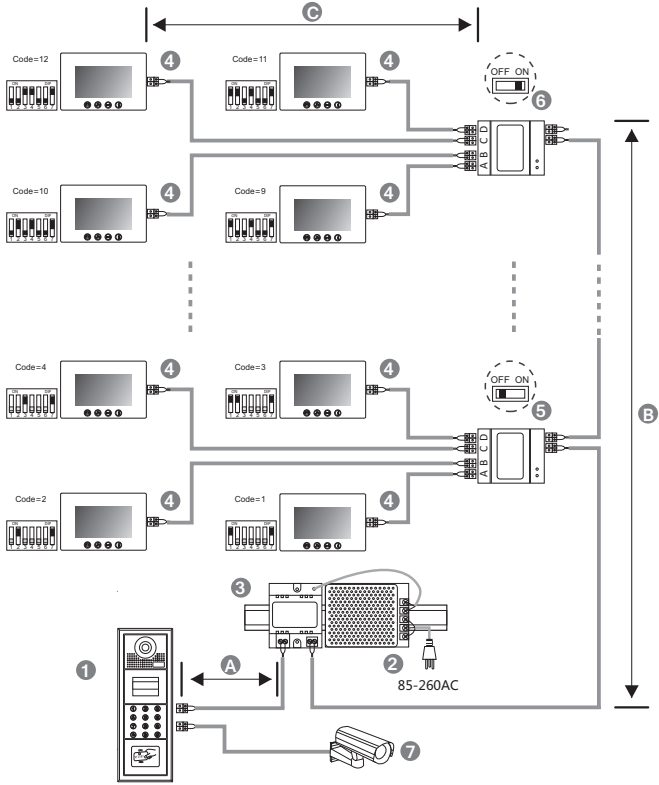


2. Terminal Description



- MIC:** Microphone connection port
- CN3:** Unlock connection part
- LED:** Night vision light connection port
- CCD:** Camera module connection port
- SP:** Speaker connection port
- CN1:** (L1, L2) non-polarity bus line
- VI:** Extra camera connection port
- CN2, CN4:** Card reader module connection port

3. System Connection



When monitor quantity < 20

When monitor quantity > 20

Cable usage	A	B	C
Parallel cable 2×0.75mm ²	60	60	30
Parallel cable 2×1mm ²	80	80	40

Cable usage	A	B	C
Parallel cable 2×1mm ²	60	60	30
Parallel cable 2×1.5mm ²	80	80	40

- [1]: Door station.
- [2]: Power supply, MUST be installed side by side with Power Separator.
- [3]: Power Separator, MUST be installed side by side with Power supply.
- [4]: Monitor, each one with an unique User Code, note that all the bit-6 is the line-terminal switch, set the last monitor to ON, otherwise set OFF.
- [5]: Video distributor set switch to OFF unless at the end of the line.
- [6]: Video distributor set switch to ON at the end of the line.
- [7]: Extra camera.

4. Door Station Setting up

The admin password is 1234, * means confirm, # means back or cancel, 00* means save and exit.

How to change admin password?

1* -> 1234 -> 04* -> 00* -> Input 4 digits new admin password -> * -> #00*

Public unlock password

[1].How to set public password?

1* -> 1234 -> 04* -> 33* -> Input 4 digits password -> *->#00*

[2].How to turn on/off public password function?

1* -> 1234 -> 06* -> (Input 8 ON / Input 4 OFF) -> * -> 00*

[3].How to use the public password to open the door?

9* -> 4 digits password

Private unlock password

[1].How to set private password?

1* -> 1234 -> 04* -> monitor ID -> * -> Input 4 digits password -> * -> #00*

[2].How to turn on/off the private unlock password?

1* -> 1234 -> 05* -> (Input 8 ON / Input 4 OFF) -> * -> #00*

[3].How to use the private unlock password?

8* -> monitor ID -> * -> 4 digits password

[4].How to change the private unlock password?

4* -> monitor ID -> * -> old password -> * -> new password -> * -> #

How to set the unlock time?

1* -> 1234 -> 02* -> Input 3 digits unlock number -> * -> 00*

Electrical lock input 001-003 , Other lock input 000-250

1 S = 10, for example, 5S = 050 , 10S = 100

How to set door station ID? (When there's multi door station in the system)

1* -> 1234 -> 10* -> Input Door Station ID 1~8 -> * -> 00*

How to restore factory setting? (It takes about 10 seconds to restore to factory setting)

1* -> 1234 -> 03* ->1234 (Wait 10 seconds) -> 00*

How to turn on/off extra camera?

1* -> 1234 -> 11* ->(Input 8 ON / Input 4 OFF) -> * -> 00*

How to input the user's name?

1* -> 1234 -> 08* -> Input monitor ID

-> * -> Input name -> * -> #00*

How to turn on/off lock inversion?

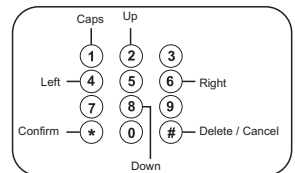
1* -> 1234 -> 12* ->(Input 8 ON / Input 4 OFF) -> * -> 00*

How to turn on/off ring tone self?

1* -> 1234 -> 13* ->(Input 8 ON / Input 4 OFF) -> * -> 00*

How to set the talking volume?

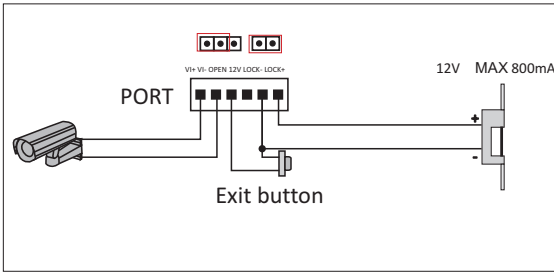
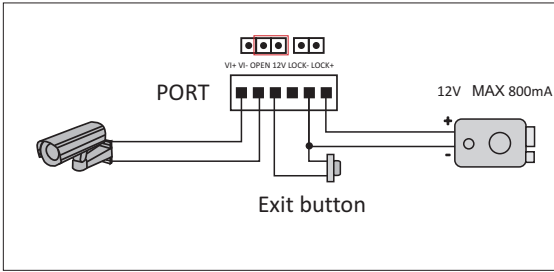
1* -> 1234 -> 14* ->(Input 8 ADD / Input 4 SUB) -> * -> 00*



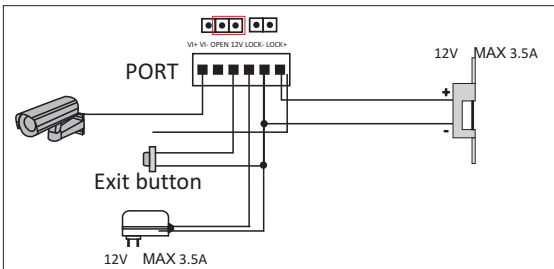
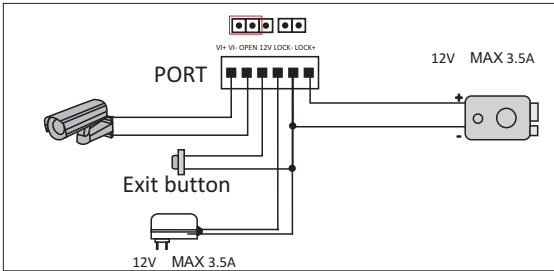
* Input user's name

5. Door Lock Connections

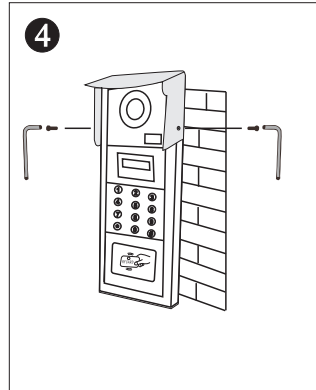
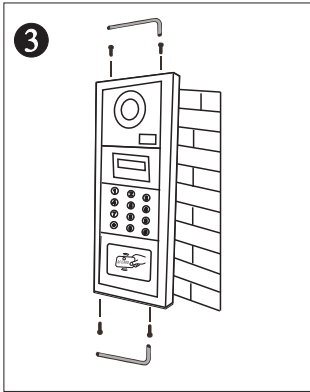
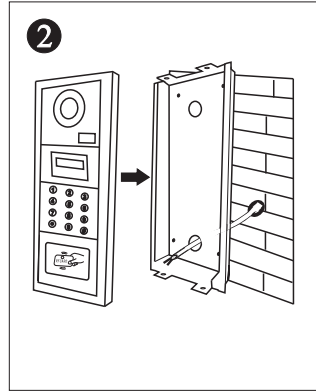
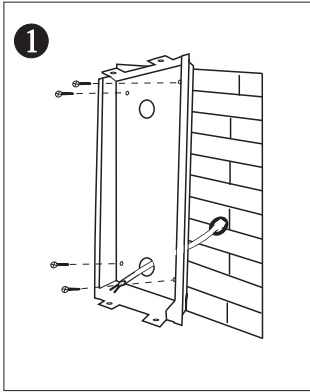
Internal power supply mode



External power supply mode



6. Mounting



7. User Instructions of ID Card Access Control.

1) Make a master card :

Firstly to cut off the power of the outdoor station, secondly to connect JP2 with power, then sound will be heard every 1.5second,now to swipe new ID card will hear a long beep, that means new master card has been made,finally to take off JP2 will exit.

2) Delete all user cards:

Firstly to cut off the power of the outdoor station, then to connect JP3 with power,now a long beep will be heard, that means all user cards has been deleted, finally to take off JP3 will exit.

3) Add more user ID card:

Under standby,firstly to swipe the Master card, then to swipe new User cards one by one, now to swipe the Master card again, so new User cards have been made. only 2720pcs user cards can be made in the system.

4) Open the door by ID user card:

Under standby, to swipe the active access ID user card on the access window will open the door, if the User card is not activated by the Master card, then the door can not be open and Dee beep will be heard at 3 times.

8. User Instructions of IC Card Access Control

1) Using IC card Encryption Mode(Factory Default):

When disconnected Encryot stitch, means IC card encryption mode. When swiping card unlocking, IC card should be with corresponding password. This function prevent copy IC card by others.

2) Using IC Card No Encryption Model:

When connected Encryot stitch, means IC card no encryption mode. When swiping card unlocking, unlocking only with corresponding IC card number. After copy IC card, use the copy card unlocking.

3) Record Manage Card:

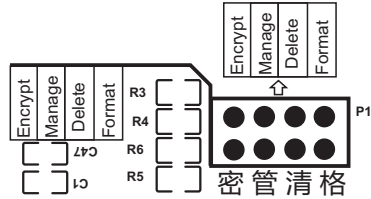
When connected Manage stitch, hearing one beep every second get into record manage card mode, swiping a new IC card, manage card recording successfully when hearing a long beep, cut off the Manage stitch to ending at last.

4) Delete a User Card:

Connecting Delete stitch, hearing a beep, swiping the user card which needs to delete in 10 seconds. Hearing three times short beep, delete successfully, cut off the Delete stitch to ending at last.

5) Formatting All The Cards:

Connecting Format stitch, hearing a beep begin to formatting, hearing a beep after 5 seconds, all the manage cards and user cards will be deleted, formatting finished, cut off the Format stitch to ending at last.



9. Bluetooth

Idle time, bluetooth  "DOORBT" turn on, use Android APP "V-Intercom" connect and modify data.



10. Specification

Power Supply	DC 24V
Power Consumption	Standby 1W, working status 8W
Wiring	2 wire (non-polarity)
Installation	Surface & Flush mounting optional
Unlock Power output	12V DC, 250 mA
Unlock timing	1 ~ 25s
Operating Temperature	-20°C ~ +55°C
Dimension	360(H) × 130(W) × 52(D)mm 14. 2 (H) × 5. 1 (W) × 2. 0(D)in
Embedded Dimension	350(H) × 110(W) × 33(D)mm 13. 7 (H) × 4. 3 (W) × 1. 3(D)in

