

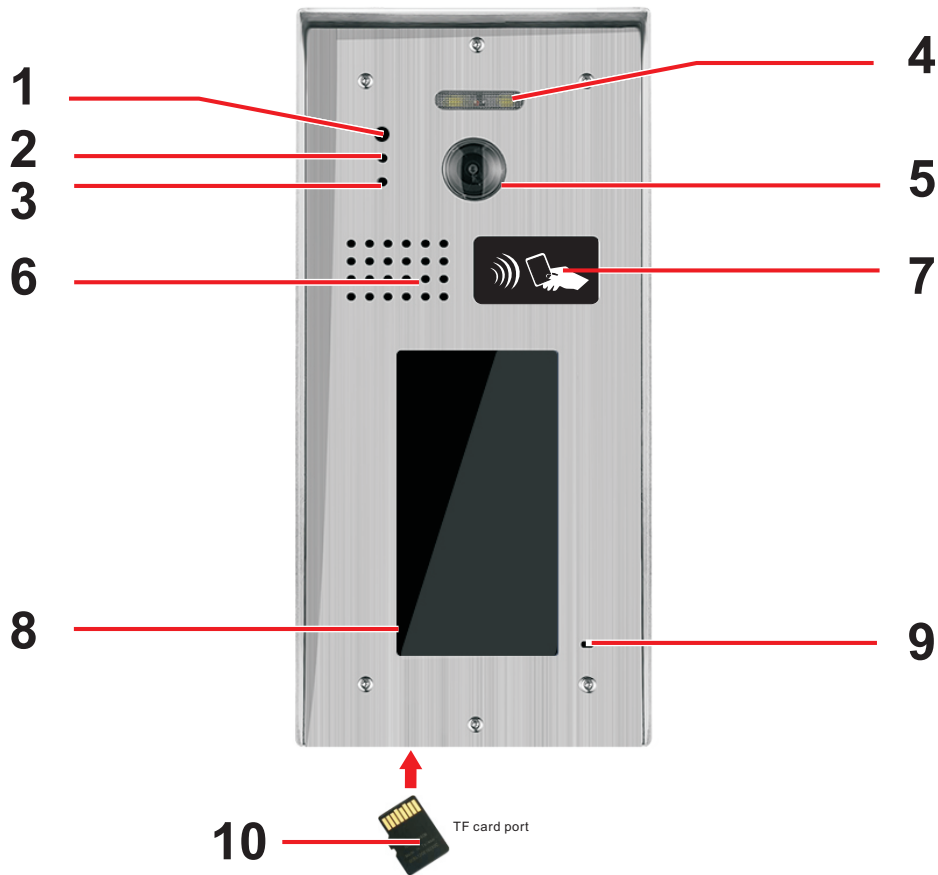
2-WIRE INTERCOM SYSTEM USER MANUAL



ⓘ Please read this manual carefully before using the product.

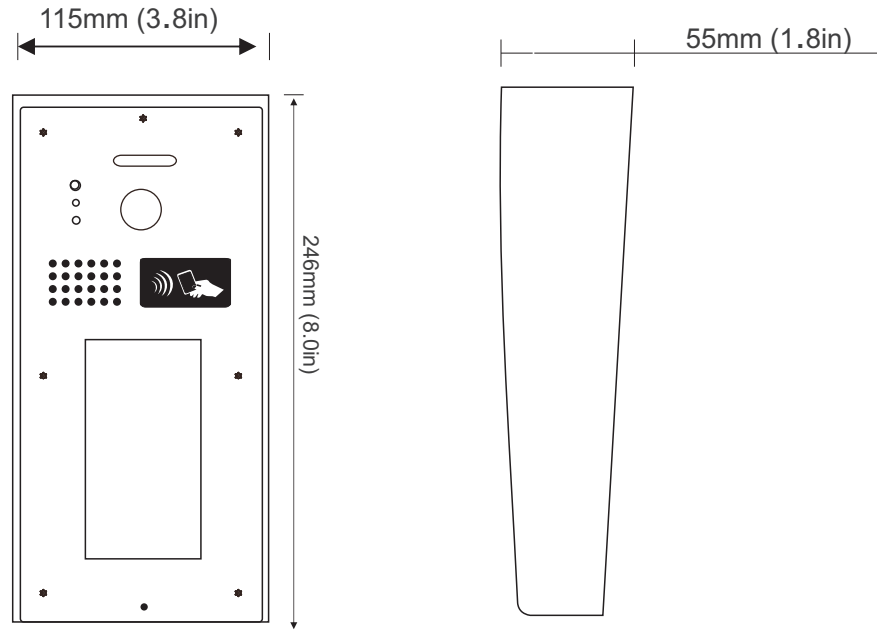
Part Names

Outdoor station

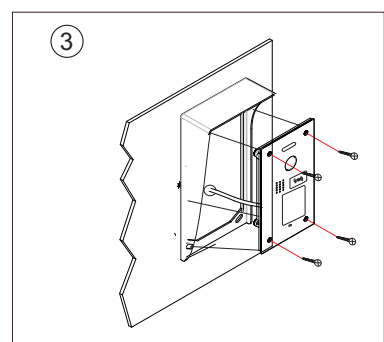
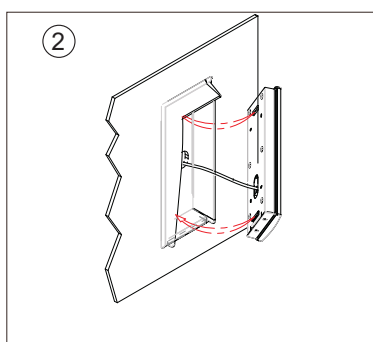
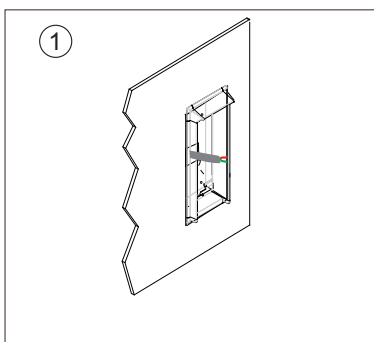
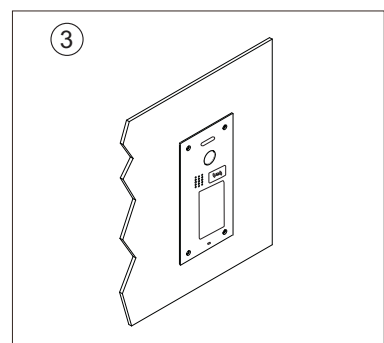
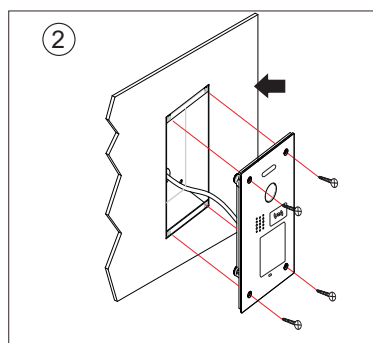
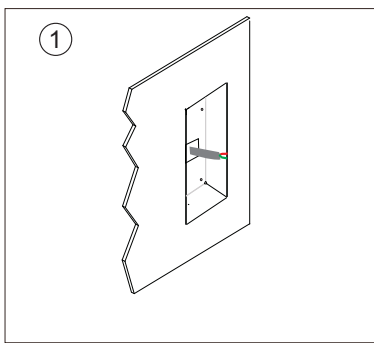


No.	Name & description
1	Infrared induction
2	Green light on when unlocking
3	Blue light on when calling
4	Fill-in flash and light sensor
5	Camera
6	Speaker
7	IC card swiping area
8	Touch screen
9	Microphone
10	TF card port

Parts and Functions



Mounting

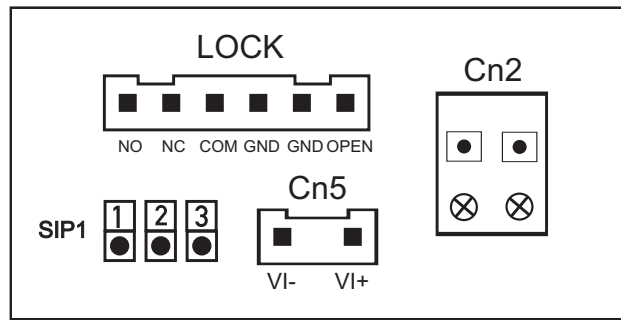


Drill a hole and attach the rain cover to it

Attach the unit to the rain cover correctly

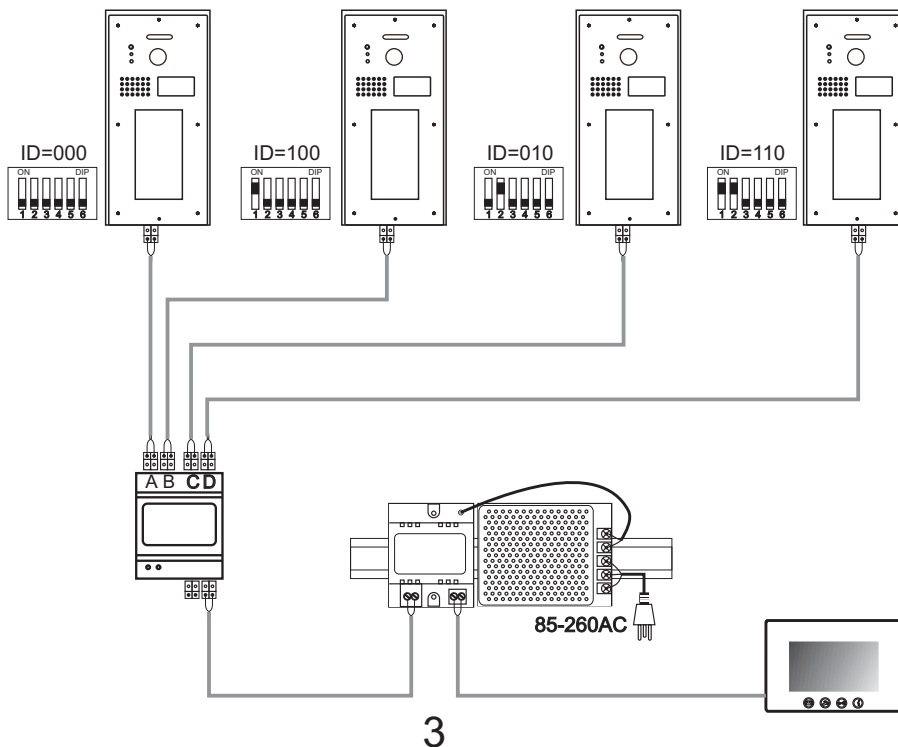
The last view for all mounting

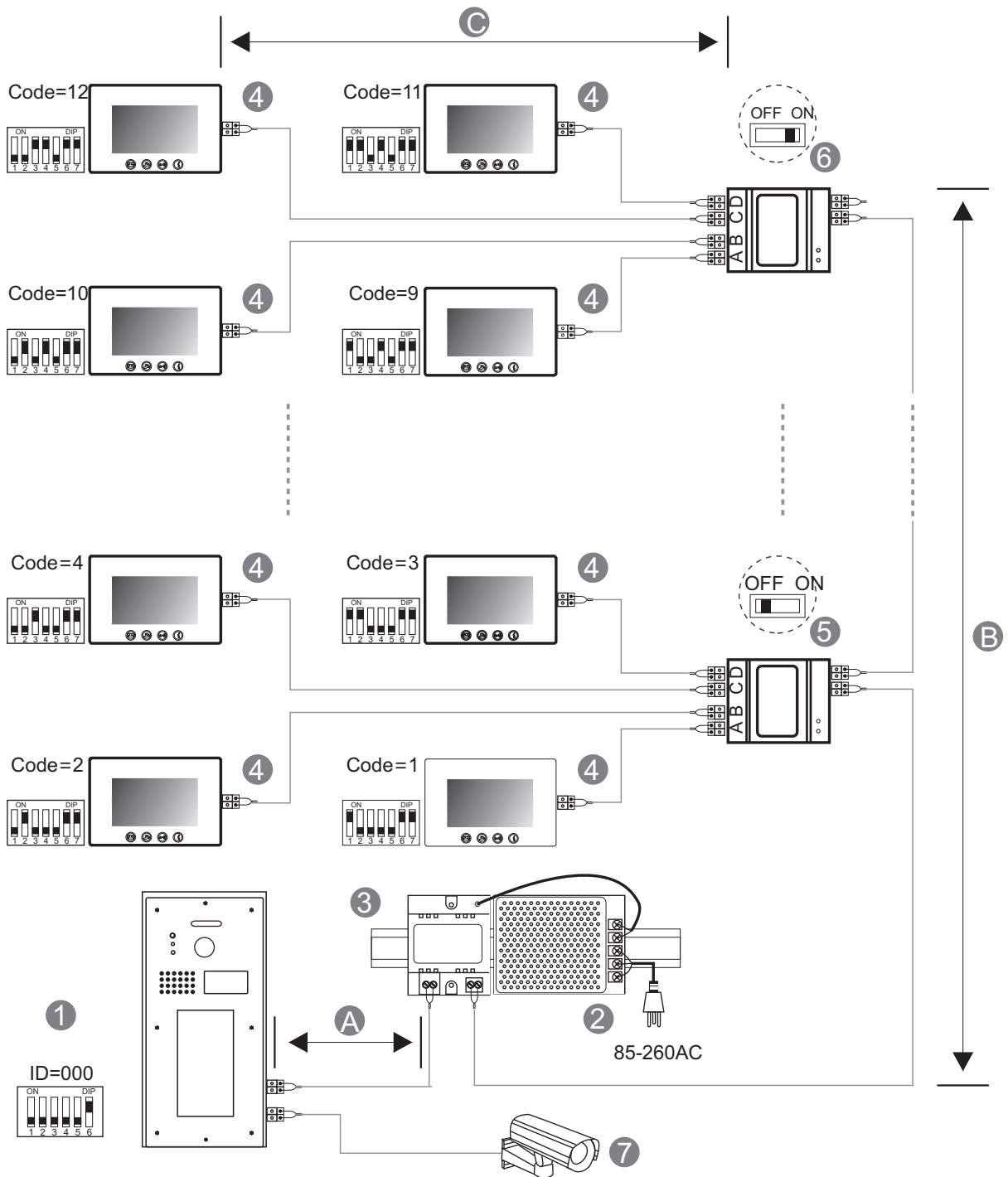
Terminal Description



- BUS:** (L1, L2) non-polarity bus line
- CAM:** Extra camera connection port
- LOCK:** Electronic lock connection port
- VOL:** Volume adjustor
- DIP:** DIP switches for system configurations.
- SIP1:** Door lock jumper

Multi door station





When monitor quantity < 20

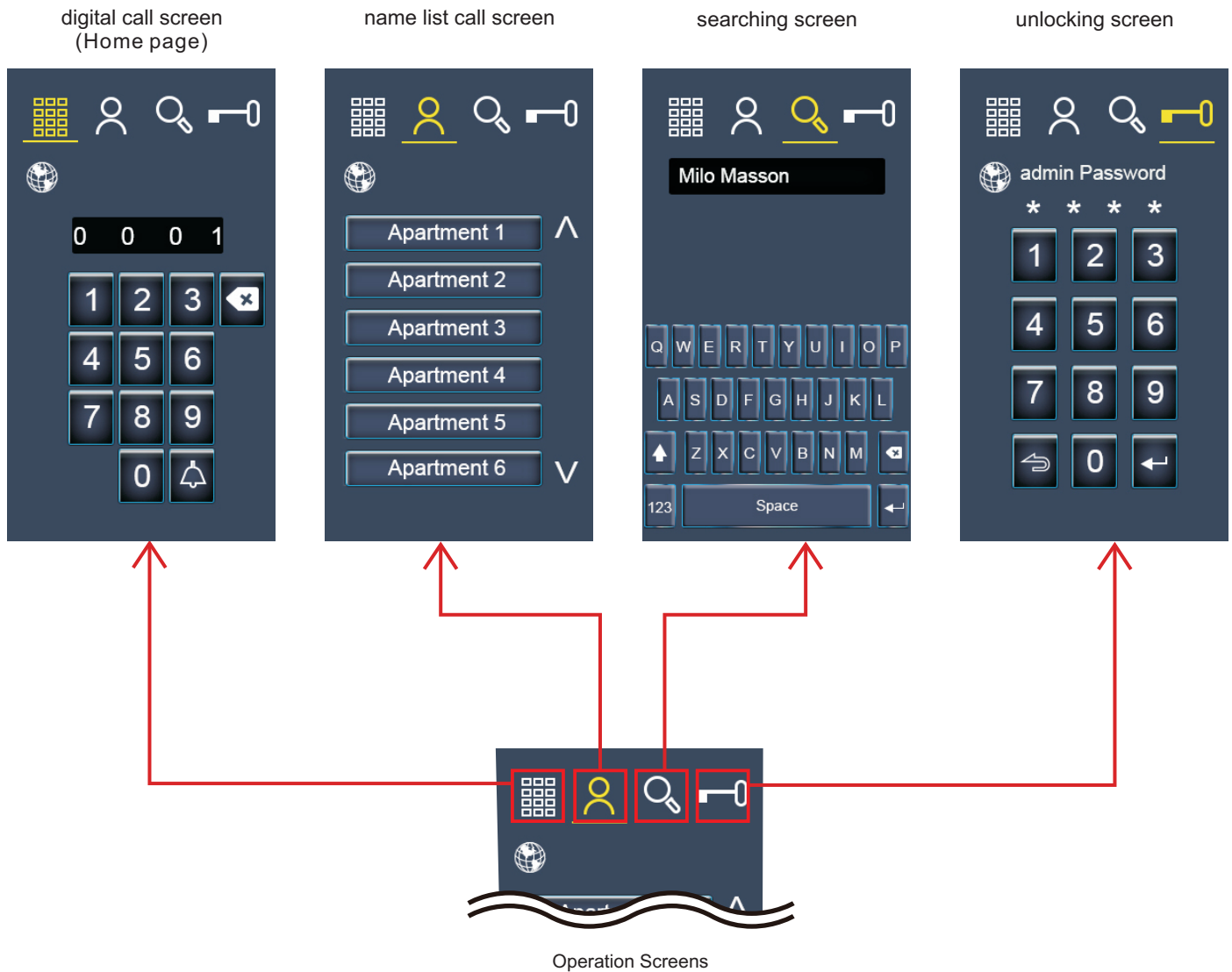
Cable Usage	A	B	C
Parallel cable 2x0.75mm ²	60	60	30
Parallel cable 2x1mm ²	80	80	40

When monitor quantity > 20

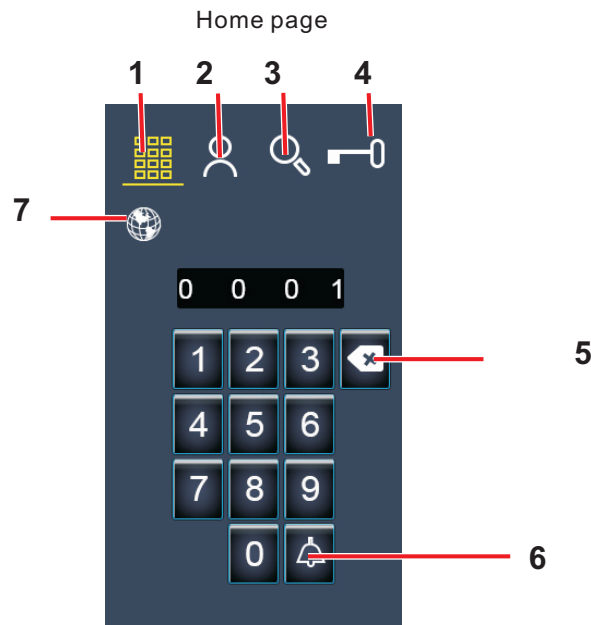
Cable Usage	A	B	C
Parallel cable 2x1mm ²	60	60	30
Parallel cable 2x1.5mm ²	80	80	40

Operation Screens

Home page is the first page when outdoor station stand-by. When outdoor station standby to start, there is no image show on the screen, you need to click any places of the screen, outdoor station will be activated, home page is the first page after outdoor station activated.



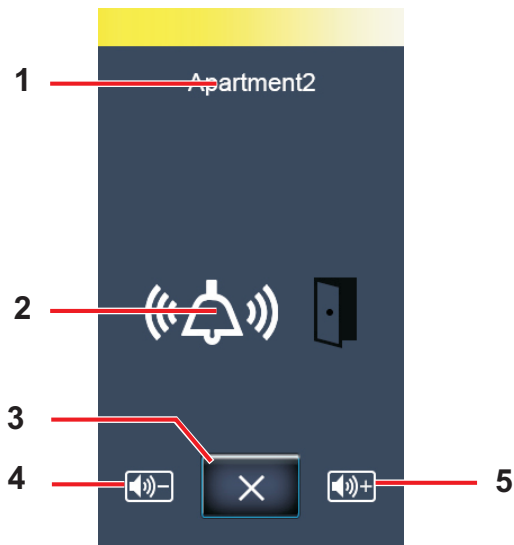
Operation Screens



No.	Description
1	Digital call screen
2	Name list call screen
3	Searching screen
4	Unlocking screen
5	Backspace key
6	Calling key
7	Language choice

Communication Screen

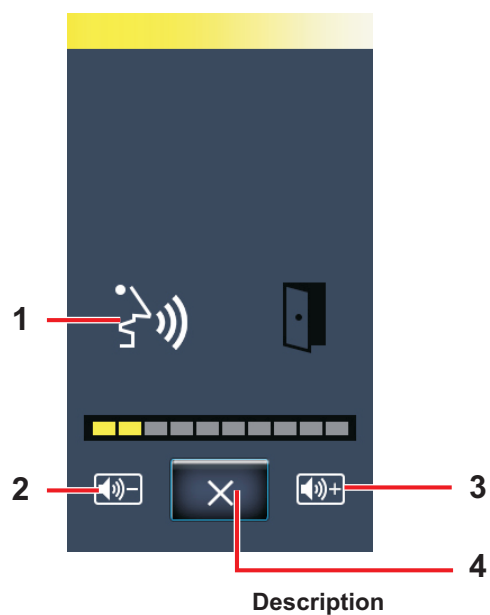
The following screen is displayed when calling a person to visit.



No.	Description
1	Shows the information of the destination station
2	Indicates outgoing call is being made
3	Exit calling
4	Decrease ringtone volume
5	Increase ringtone volume

Communication Screen

After answer the call, talk with indoor monitor




No.	Description
1	Indicates in communication
2	Decrease calling volume
3	Increase calling volume
4	Exit key

Calling a Person to Visit

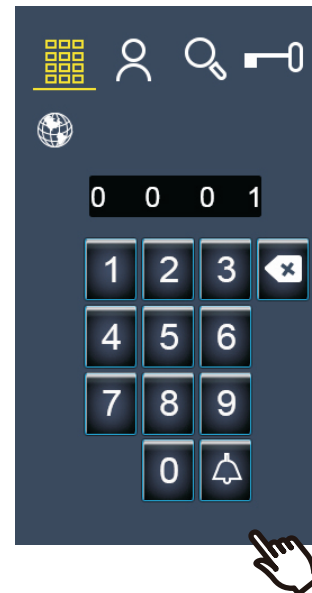
Calling using the keypad

1. Enter the "Unit Number"



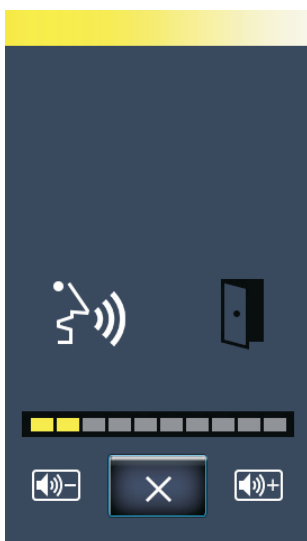
- Use  to delete incorrectly entered Unit Numbers.

2. Tap



Calling key

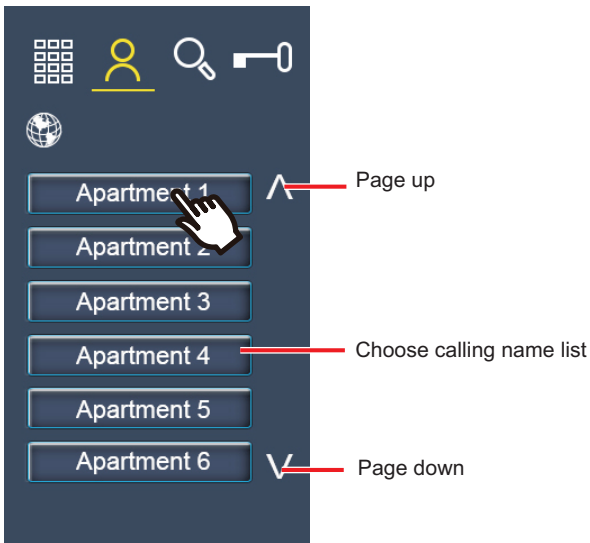
3. Speak with the other party.



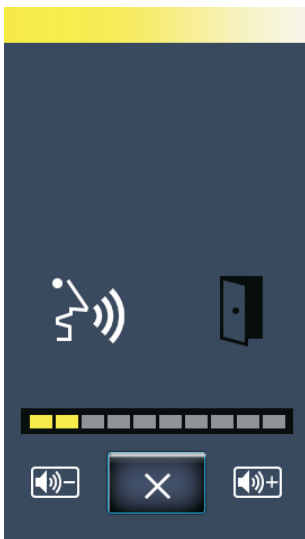
4. Tap to end communication.

Calling using the Direct Call List

1. Tap the name to visit



2. Speak with the other party.

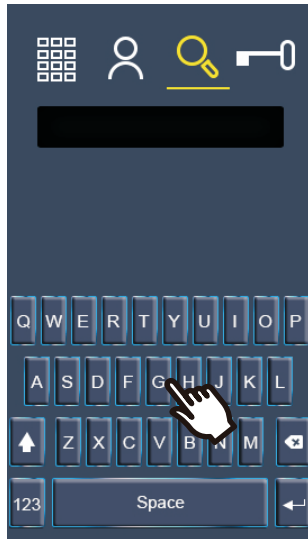


3. Tap  to end communication.

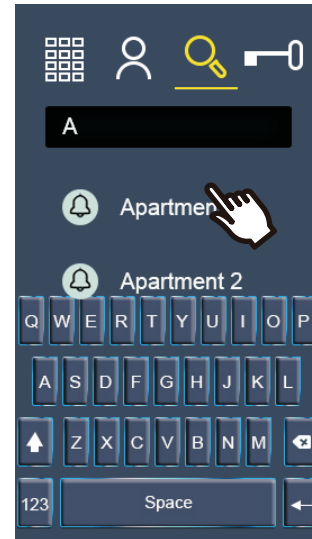
Calling by searching for a name

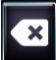
Use the keyboard to search for a resident by name.
Call and communicate with the person to visit by selecting from the search results.

1. Enter the resident's name

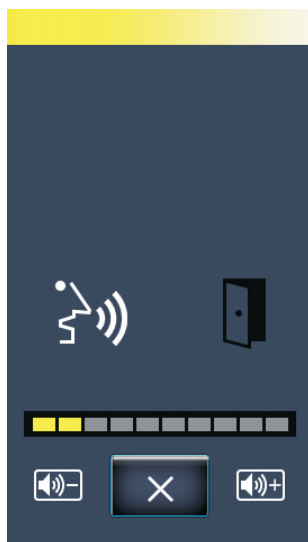


2. Tap the name to visit



Use  to delete incorrectly entered name.

1. Speak with the other party



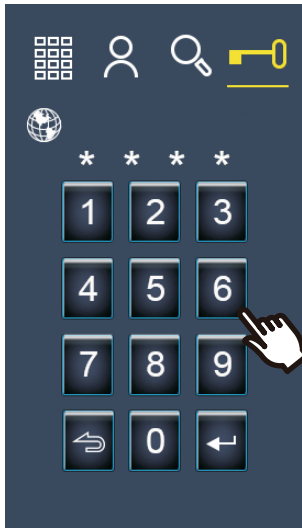
4. Tap to end communication

Unlocking the door

Releasing by entering Access Code

An electric lock can be released by entering Access Code using the keypad.

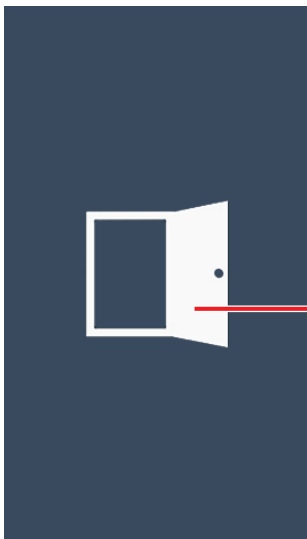
1. Enter access code.



Note
The door release duration varies depending on the settings. The door released icon will be displayed for approximately 3 seconds regardless of the set duration. Input 4 bit unlocking password(default 8888)



unlocking interface

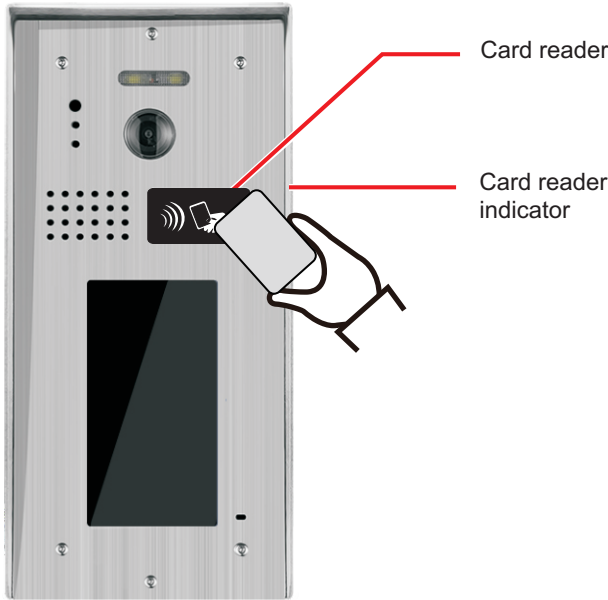


Door released icon

Release the door using access control credentials (cards, tabs, tags, mobile)

Door release can be activated by passing an access control credential.

1. Hold the access control credential

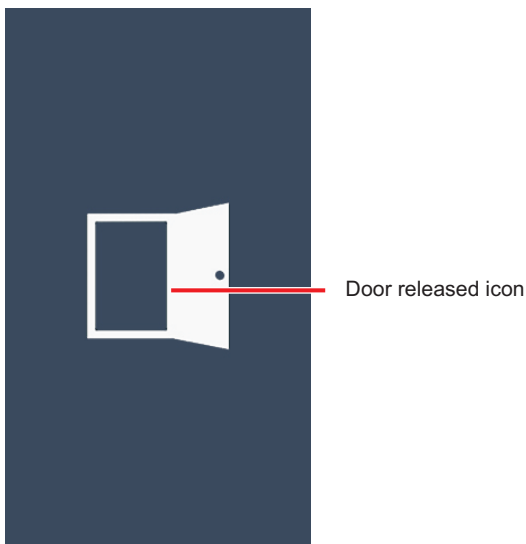


Note

The door release duration varies depending on the access control system settings. The door released icon will be displayed for approximately 3 seconds regardless of the set duration.

The door released icon may not be displayed.

Access control credentials are registered on the access control system. Refer to the manual of the access control system for details.

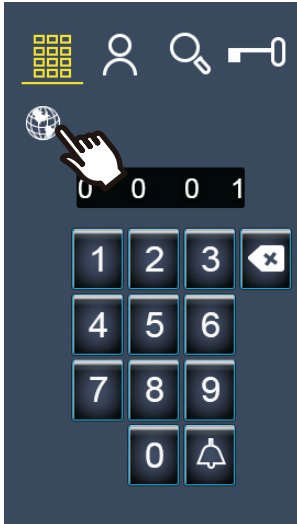


- The unlock tone or audio guidance may play when the door is released.
- The door released icon will be displayed for approximately 3 seconds.
- If the proximity key is authenticated, the Card reader indicator will turn ON (green) for approximately 1 seconds.

Selecting the Display Language


Visitors may temporarily select a different display language if needed.

1. Tap .

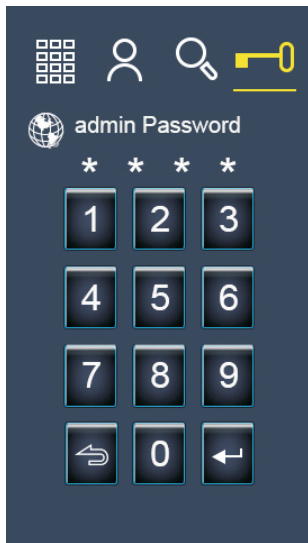


2. Tap the language to display

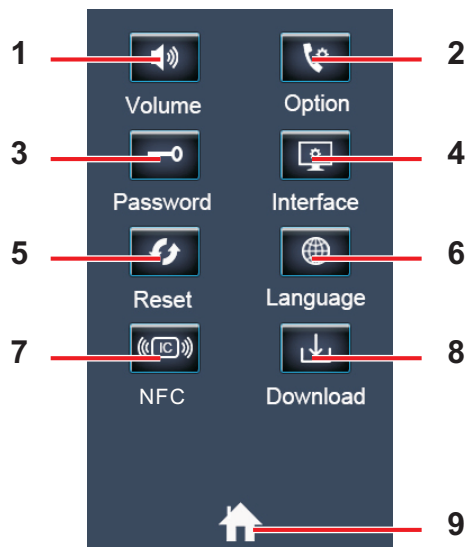


- Tap  to return to the previous screen. The setting will be changed.

Enter system setting screens



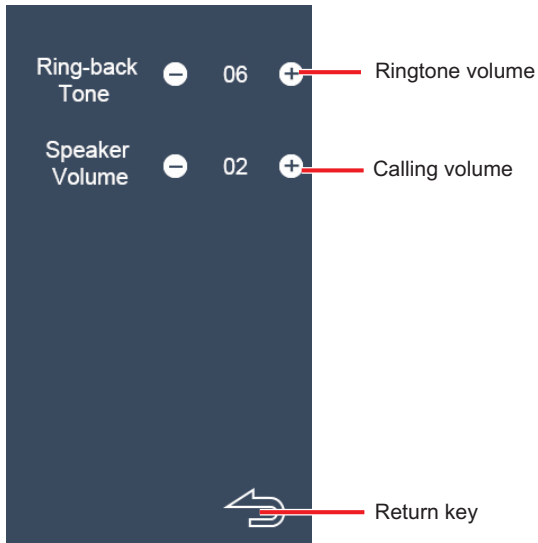
Long press screen 2 seconds, input management password(default 1234)



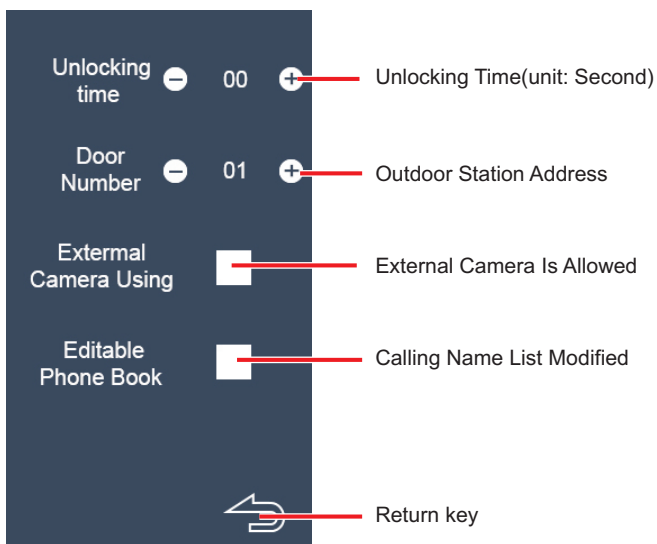
No.	Description
1	Volume Adjustment
2	Function Setting
3	Password Setting
4	Interface Setting
5	Restore To Original Factory Settings
6	Language Setting
7	IC Operation
8	Updata System or Format SD Card
9	Return To Main Interface

Setting screens

1. Volume adjustment screen

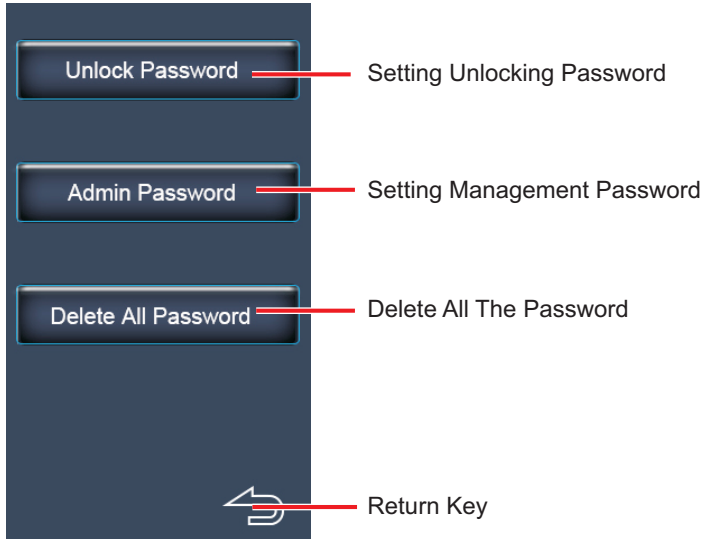


2. Function setting screen

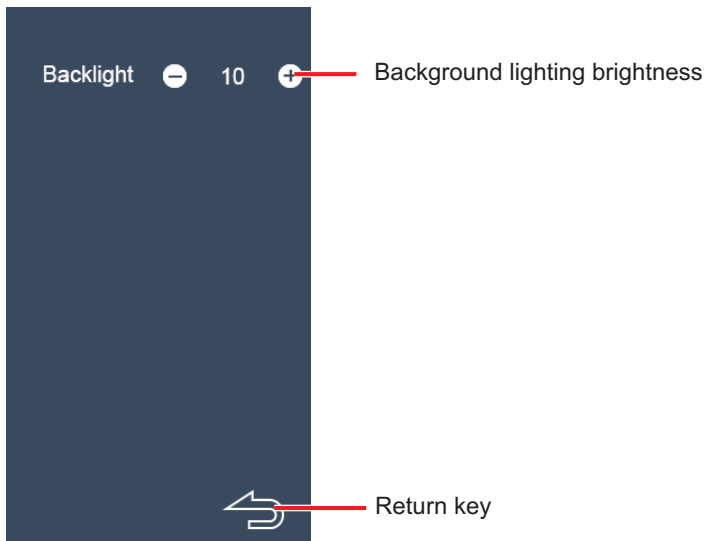


Setting screens

3.Password setting screen



4.Interface setting

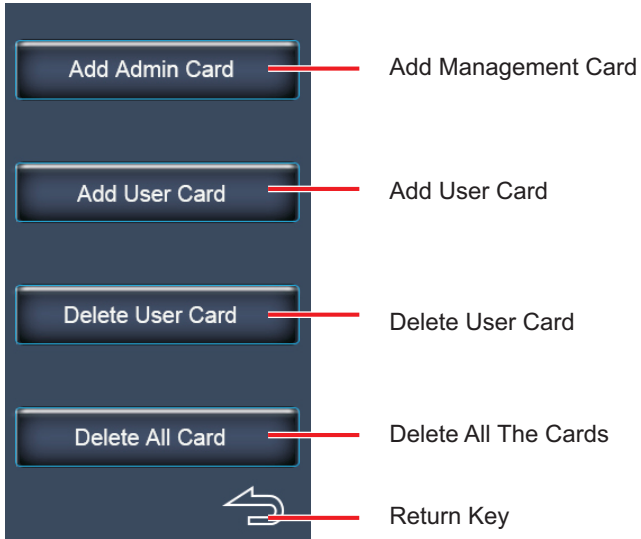


5.Restore to the original factory settings

Input the management password(default 1234), restore to the original factory settings.

Setting screens

6. Volume adjustment screen



7. Program update

Put the program into SD card, press Download key, update the program. After finished the update will restart automatically. Press Format SD Card key, format SD card.

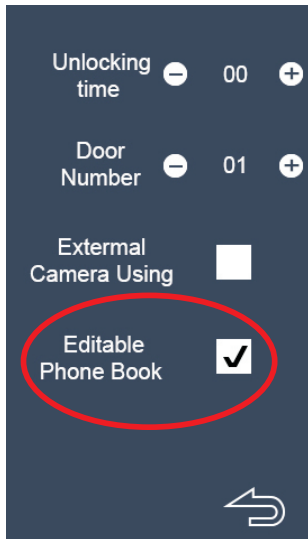
8. Error screen troubleshooting

Error screen	Cause	Solution
<p>The screenshot shows a dark interface with a yellow 'ERROR' banner at the top. Below the banner is a numeric keypad with buttons for 4, 5, 6, 7, 8, 9, 0, and a return key. At the top left of the screen are icons for a grid, a person, a magnifying glass, and a key. A globe icon is also visible.</p>	<p>The wrong number was entered.</p>	<p>Enter the correct number.</p>

Setting screens

9.Modify the name in calling name list

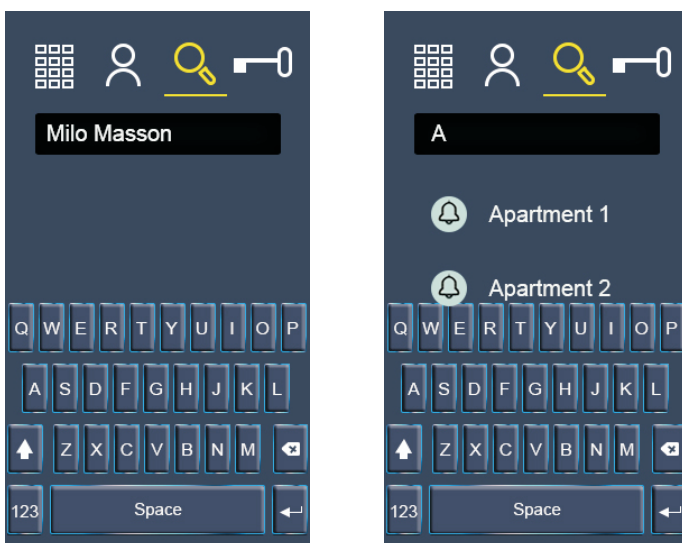
Ticking to make the name list can be modified.



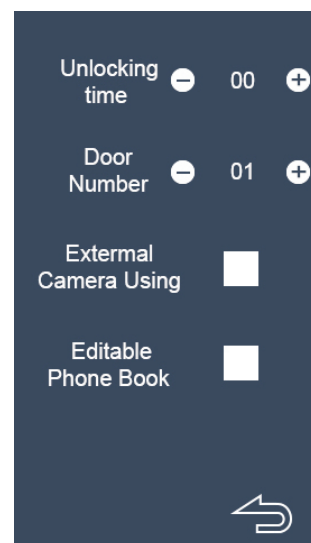
Choose the name list you want to modify



Re-input the name, after modified press enter key



Non-ticking to make the name list can be modified



SPECIFICATIONS

Power supply:	DC 24V
Power Consumption:	1W in standby, 5W in working
Unlock Power output:	12Vdc, 250mA
Unlock timing:	0-25s
Working Temperature:	-20°C~+55°C